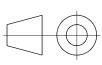
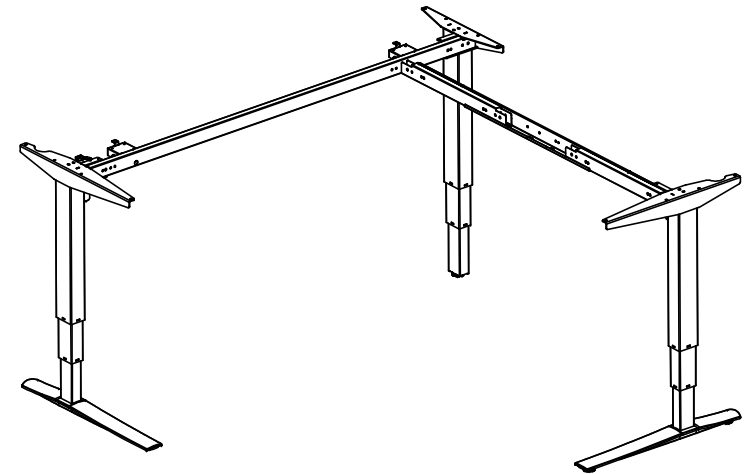
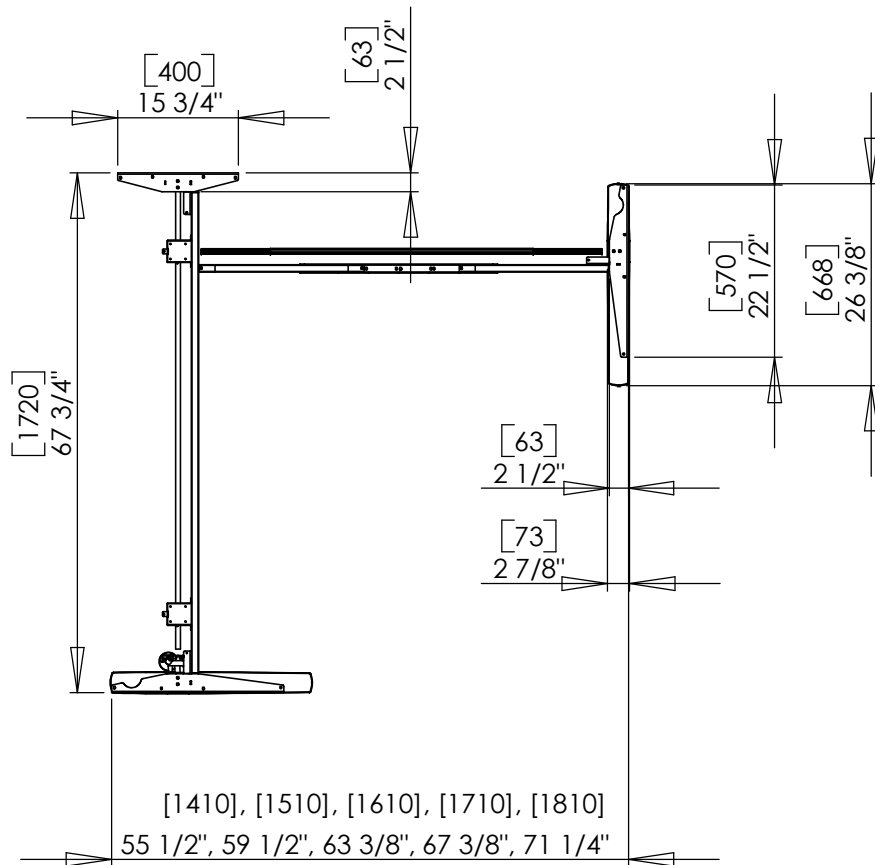
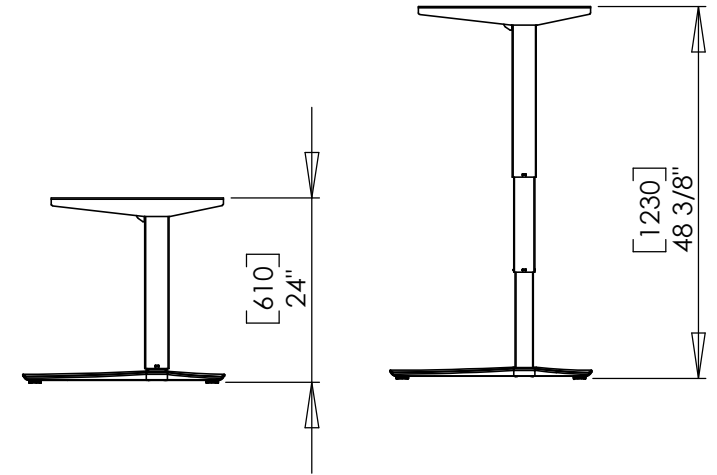
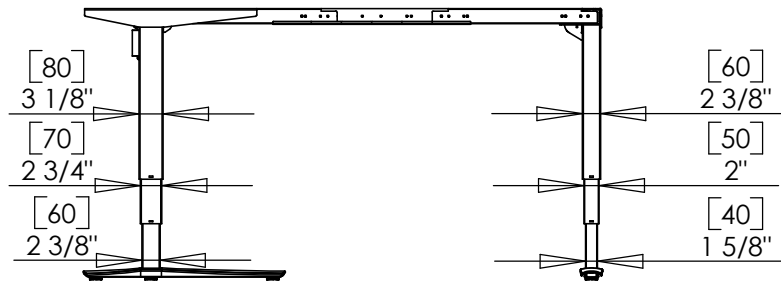


DO NOT SCALE DRAWING SHEET 1 OF 2	WEIGHT:			<b>ConSet A/S</b> Industrivej 23 DK-6900 Skjern Denmark <a href="http://www.conset.com">www.conset.com</a>	
	UNLESS OTHERWISE SPECIFIED: DIMENSIONS ARE IN MILLIMETERS TOLERANCES: LINEAR: According to ANGULAR: DIN 7168-m	NAME			DATE
<b>PROPRIETARY AND CONFIDENTIAL</b> THE INFORMATION CONTAINED IN THIS DRAWING IS THE SOLE PROPERTY OF CONSET A/S. ANY REPRODUCTION IN PART OR AS A WHOLE WITHOUT THE WRITTEN PERMISSION OF CONSET A/S IS PROHIBITED.	DRAWN	jo	20-10-2016	501-43 XX172-172A	
	CHECKED				
	Processes:	assembly		DWG NO.	141790
Remarks:				REVISION	0



DO NOT SCALE DRAWING	SHEET 2 OF 2			<b>ConSet A/S</b> Industrivej 23 DK-6900 Skjern Denmark
UNLESS OTHERWISE SPECIFIED: DIMENSIONS ARE IN MILLIMETERS TOLERANCES: LINEAR: According to ANGULAR: DIN 7168-m	DRAWN	NAME jo	DATE 20-10-2016	TITLE:  501-43 XX172-172A
	CHECKED	Processes: assembly		DWG NO.  141790
<b>PROPRIETARY AND CONFIDENTIAL</b> THE INFORMATION CONTAINED IN THIS DRAWING IS THE SOLE PROPERTY OF CONSET A/S. ANY REPRODUCTION IN PART OR AS A WHOLE WITHOUT THE WRITTEN PERMISSION OF CONSET A/S IS PROHIBITED.	WEIGHT:			REVISION  0